

## COUNTERTOP GAS HOT PLATES

Model	Product ID	Burners
<b>KHP12</b>	919581	2

### STANDARD FEATURES

- High performance 25,000 BTU per individual burner
- Stainless steel front & sides
- Heavy cast iron removable burner grates for easy cleaning
- Each burner has its own adjustable pilot
- Large individual burner chrome knobs w/ set screw
- Extended cool to touch front edge
- Removable, easy to clean full width stainless grease catch pan
- Adjustable non-skid stainless steel legs

### SPECIFICATIONS

With 25,000 BTU high heat per burner, the Kintera Countertop Hot Plate is a commercial range without an oven. The burners give you the maximum in gas range features, removable burners with the top half of the burner that separates for cleaning and a pilot that lights each burner. Heavy duty cast iron grates are also removable for easy cleaning.

A large chrome control knob for each burner gives you a comfortable feel when turning burners on and off all day.

Units are shipped for natural gas, but are easily converted to LP (propane) gas with the LP conversion kit that is included.

All Countertop Gas Ranges carry ETL gas and sanitation approvals that meet US gas and sanitation requirements for use in restaurants.

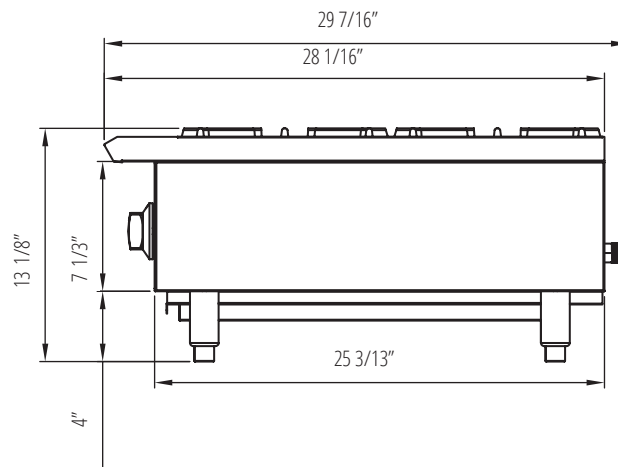
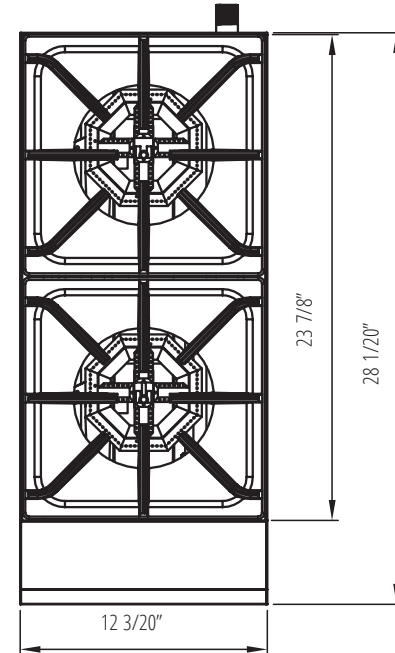
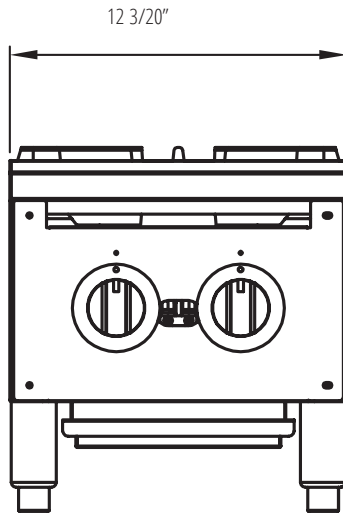
### WARRANTY

Kintera Gas Cooking Equipment is warranted to be free from defects in material and workmanship under normal use and service for a period of 1 year from the date of original purchase.



**KHP12**  
Gas Regulator Included

- A pressure regulator is provided with this unit.  
Natural Gas 4" W.C.  
Propane Gas 10" W.C.
- 3/4" NPT (19mm) rear gas connection.
- All equipment is supplied for Natural Gas, an LP conversion kit is also provided.



Model	Product ID	Burners	Dimensions (in)			BTU's (per burner)	Total BTU's	Crated Weight (lbs)
			W	D	H			
<b>KHP12</b>	919581	2	12 3/20	29 7/16	13 1/8	25,000	50,000	86