



WSC300

XPress™ Multipurpose Cooktop



XPress™ Multipurpose Cooktop

X PRESS



MAIN FEATURES

- Quickly and easily cook sweet or savory crêpes, quesadillas, tortillas, omelets, cheese crisps and more
- 13.5-inch multipurpose, aluminum cooking surface with embedded heating elements for fast heat-up and recovery time
- Dual cooking surfaces cook both sides at once, cutting cook time and eliminating the need to flip foods
- Cooking surface is triple coated with Whitford QuanTanium®* non-stick coating for easy removal of foods
- Electronic touchpad with precise temperature controls from 125°F–425°F (52°C–218°C)
- View temperature in Fahrenheit or Celsius
- Programmable countdown digital timer with audible beep indicators
- Includes silicone crêpe spatula to fold crêpes and easily remove foods without scratching nonstick surface
- Limited Two-Year Warranty

*QuanTanium® is a registered trademark of the Whitford Corporation

ELECTRICAL

Voltage: 120V

Frequency: 60Hz

Watts: 1800

Plug Type: NEMA 5-15P ⓘ

Cord Length: 3 feet



SALES FEATURES

Crêpe making, simplified and perfected. The XPress™ cooks both sides simultaneously to produce flawlessly formed crêpes, minimizing prep time and maximizing output. Designed to also warm and cook tortillas, make quesadillas, and more, this dual-surface cooktop with digital controls is ideal for today's busy foodservice operations. Just set time and temperature for perfect results, every time.



@waringcommercial

©2023 Waring Commercial
314 Ella T. Grasso Avenue, Torrington, CT 06790
Tel. 800-492-7464 • Fax 860-496-9008

waringcommercialproducts.com

WSC300



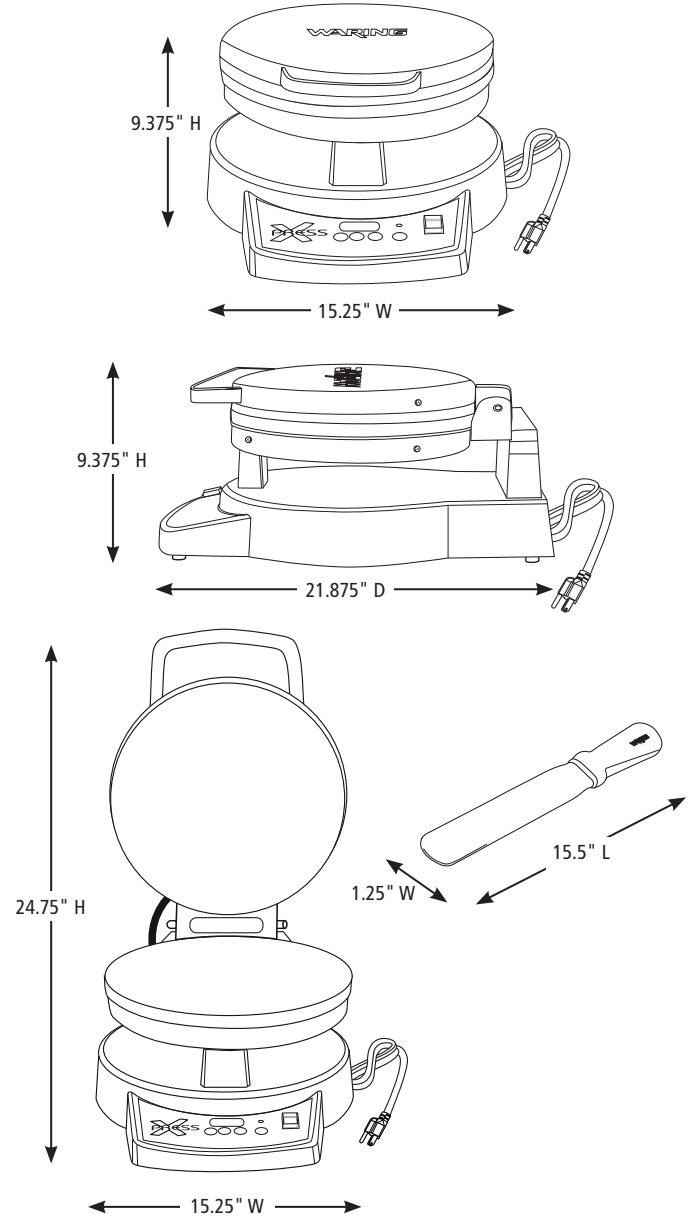
XPress™ Multipurpose Cooktop WSC300

PARTS & ACCESSORIES



CAC173 Silicone Crêpe Spatula

DIMENSIONS



Out of Box Weight: 26.5 lb.

| ORDERING INFORMATION | #STD. PKG. | GIFTBOX WEIGHT | CUBIC FEET | BOX DIMENSIONS D x W x H | UPC | CASE PKG. | MC WEIGHT | MC DIMENSIONS D x W x H | MBC |
|---------------------------------------|------------|----------------|------------|--------------------------|--------------|-----------|-----------|--------------------------|----------------|
| WSC300 – XPress™ Multipurpose Cooktop | 1 | 27.2 lb. | 2.47 | 23.26" x 17.55" x 11.57" | 040072084799 | 1 | 30.3 lb. | 23.85" x 18.14" x 12.36" | 10040072084796 |



@waringcommercial

©2023 Waring Commercial
314 Ella T. Grasso Avenue, Torrington, CT 06790
Tel. 800-492-7464 • Fax 860-496-9008

waringcommercialproducts.com

23WC086796 / REV 06/23